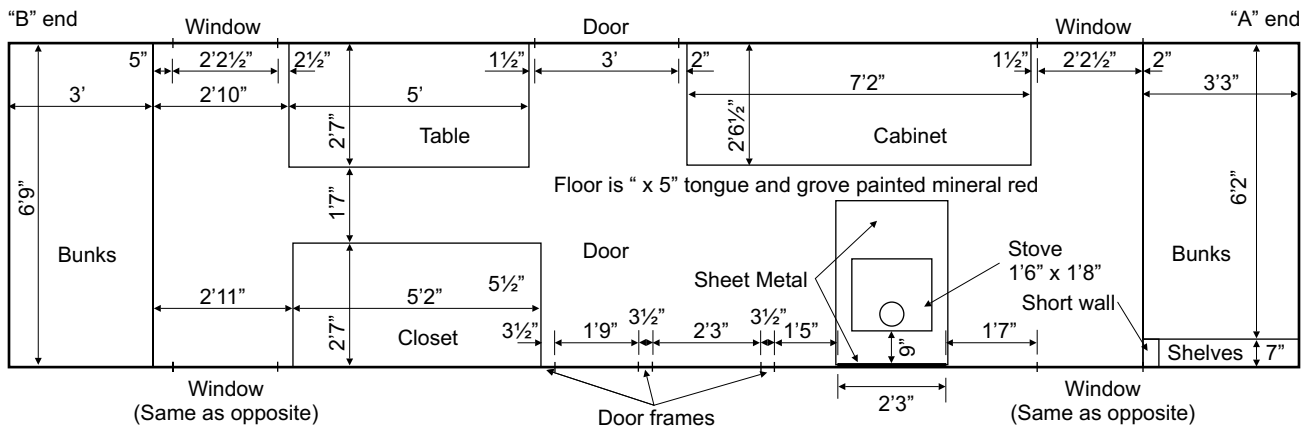
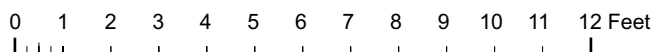


Basic Floor Plan

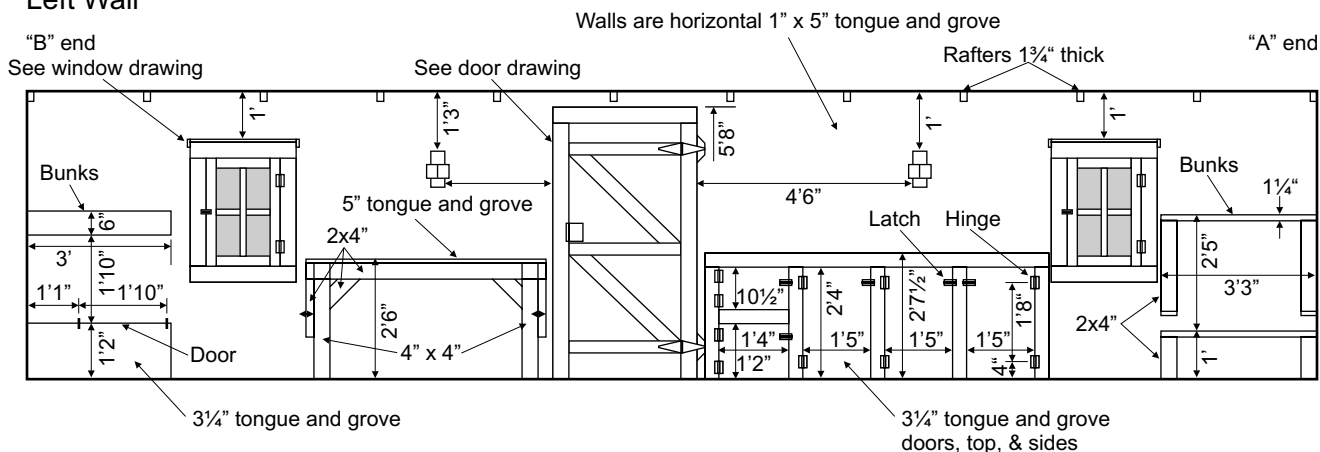
All openings measured to outside of trim



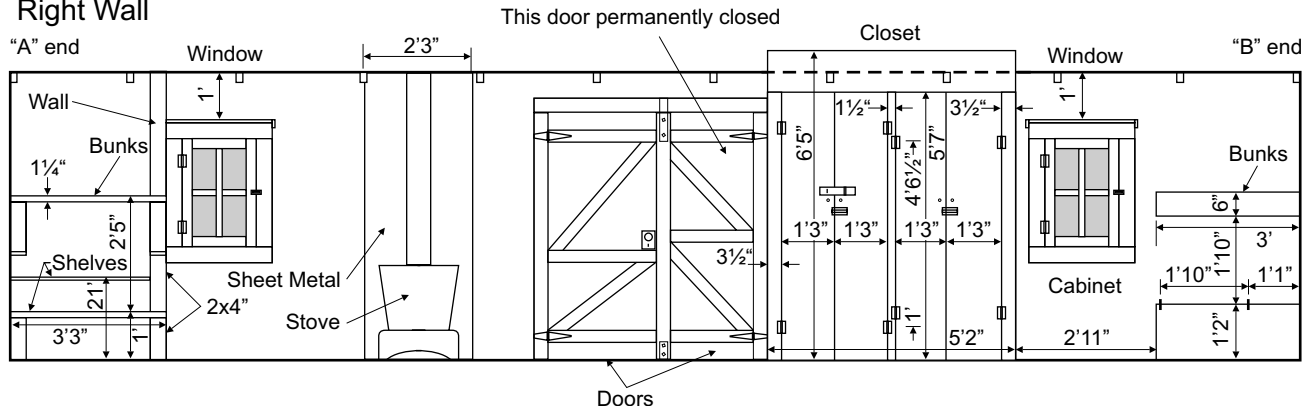
These drawings are drawn to a scale of 1/4 inch equals a foot. Please check your prints with a scale and correct on a photo copier if necessary.



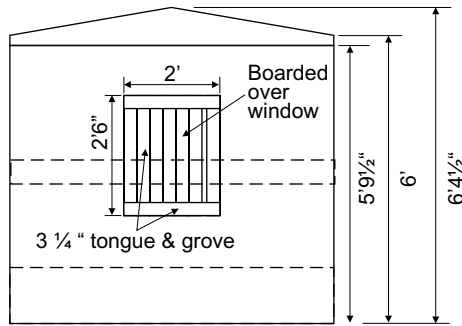
Left Wall



Right Wall



"B" end
 "A" end is blank



General Comments:

Floor is painted mineral (boxcar) red.
 Sheet metal around stove is black.
 Remainder of car is hospital green.
 The floor and walls are made from 5 inch tongue and groove siding.
 Cabinets, closet, etc are made from 3 1/4 inch tongue and groove (the same size material as the outer sheathing).
 Windows are symmetrical from one side to another.

Window and door details
 scale is 1 inch equals a foot

